

LINE:	STAINLESS STEEL CHEESE AND DELI SLICERS
--------------	------------------------------------------------

MODEL:	SS-275
---------------	---------------



USE	CAPACITY AND DIMENSIONS				
	MODEL	Motor	Maximum cut Width	Blade Diameter	Maximum sliding table travel
<ul style="list-style-type: none"> * Supermarkets * Restaurants * Food service * etc 	SS-275	1/3 HP/0.25 KW single phase	0 to 14 mm 0 to 0.55"	275 mm/10.82" IN	31.75 cm 12.5" IN

BENEFITS	
<ul style="list-style-type: none"> * Powerful 1/3 HP motor * Gravity feed (35°) * 275 mm/10.82" Blade diameter * Easy to clean 	<ul style="list-style-type: none"> * Excellent presentation * Integrated knife sharpener * Stainless steel construction

LINE:

STAINLESS STEEL CHEESE AND DELI SLICER

MODEL:

SS-275

BENEFITS



SAVES TIME AND MONEY

Many parts in this slicer are easily disassembled with no tools, reducing the time spent on cleaning and maintenance cost.



HYGIENIC

Stainless steel construction, very resistant, hygienic, easy to clean.



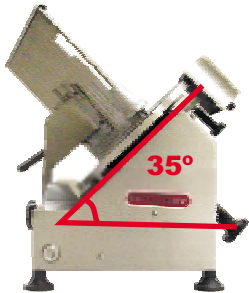
LONG LIFE WITH MINIMUM MAINTENANCE

The potent motor and dependable belt transmission allows the SS-275 to produce fast and precise slices.

SPECIFICATIONS

Motor	1/3 HP/0.25 KW single phase
Volts	127/220 volts
Hz	50/60
Blade diameter	275 mm / 10.82" IN
Speed blade	430 RPM
Maximum cut width	0-14 mm/0-0.55" IN
Maximum sliding table travel	31.75 cm / 12.5" IN
Net weight	24 kg / 53 lb
Shipping Weight	29 kg / 64 lb

GRAVITY FEED



35° Slant for true gravity feed allows free fall product feeding

SAFETY SWITCH

The switch has an orange light that indicates when the motor is on, avoiding accidents



SAFETY OPERATION

The blade has a metallic cover with a side protector to avoid accidents during cleaning and operation.

INTEGRATED KNIFE SHARPENER

It is very easy to use and keeps a perfect cutting edge, sharpening and honing the blade through its spinning stones



CONSISTENCY IN CUTS

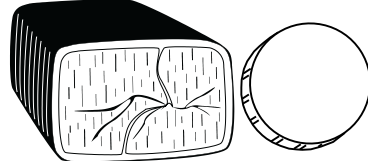
Graduated thickness gauge (0 to 14 mm / 0 to .47") to adjust thickness slices

YOU DONT HAVE TO DISASSEMBLE THE SLIDING CAR FOR CLEANING

IT LEANS OUT!



MAXIMUM SLICING SIZE



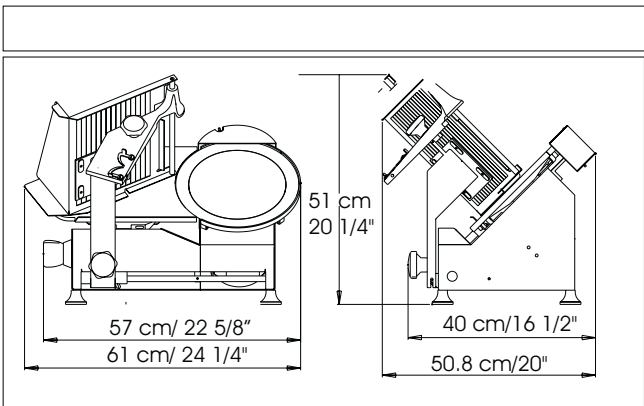
**215 x 110 mm
8.46" x 4.3" IN**

**175 mm ø
6.9" IN ø**



LONG LASTING BLADE

Highly resistant and long life



*Available only in equipment ordered under this spec



Safety & Sanitation
Conforms
UL std 763



Sanitation
Conforms
NSF-8



CANADA
Conforms
CAN/CSA STD
C22.2



DISTRIBUTED BY



ALL INFORMATION IS SUBJECT TO CHANGE WITHOUT NOTICE